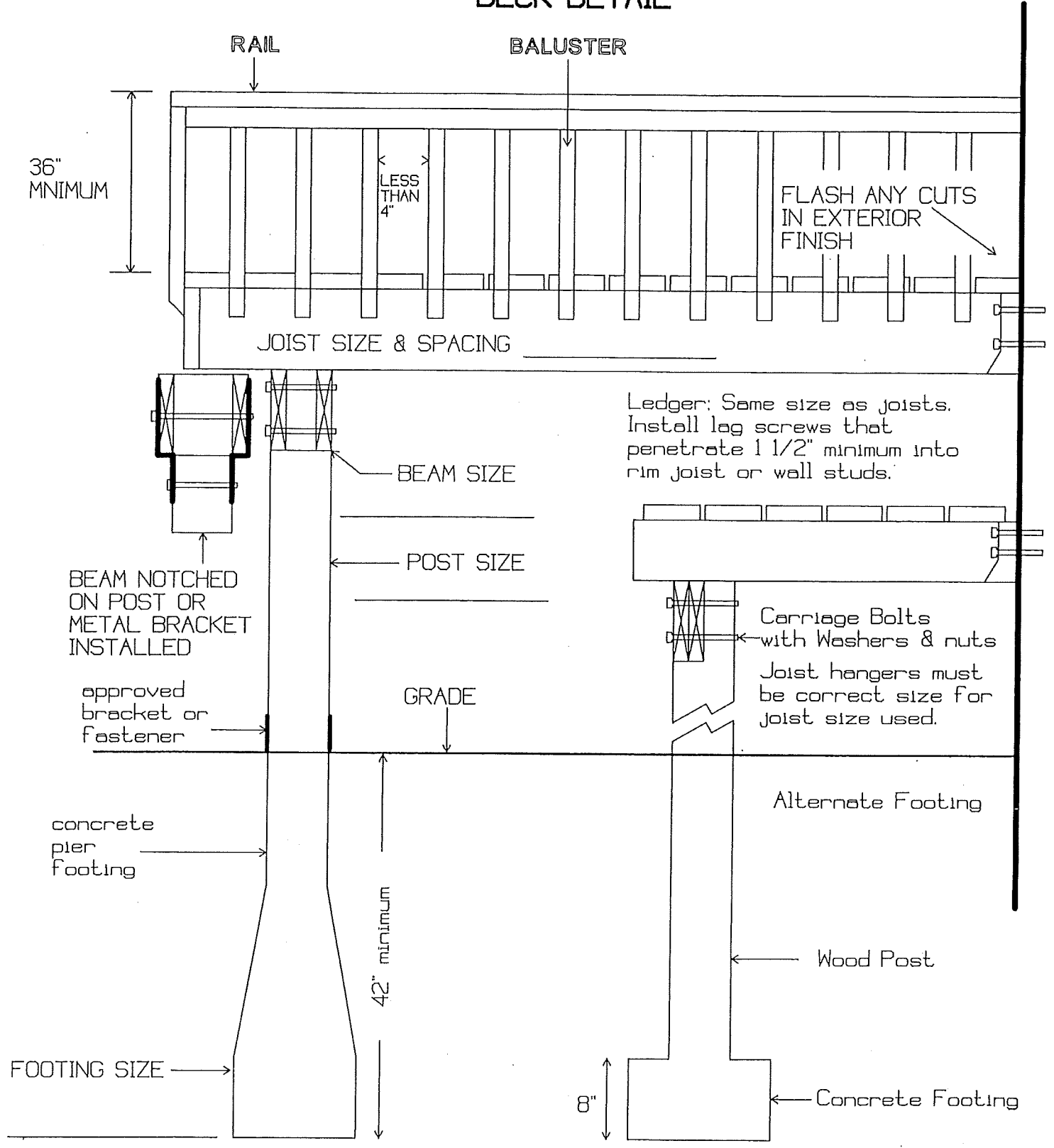


DECK DETAIL



DECK FLOOR PLAN (SEE SAMPLE)

DECK LENGTH? _____

DECK WIDTH? _____

TYPICAL JOISTS _____

HOUSE WALL

ARE YOU USING ONE BEAM OR TWO? CIRCLE (1) (2)

□ = POST

USE POST SYMBOL ABOVE. DRAW IN POST LOCATIONS ON BEAM OR BEAMS BELOW.

DISTANCE BETWEEN BEAM (S) AND HOUSE WALL? _____

BEAM TWO

BEAM ONE

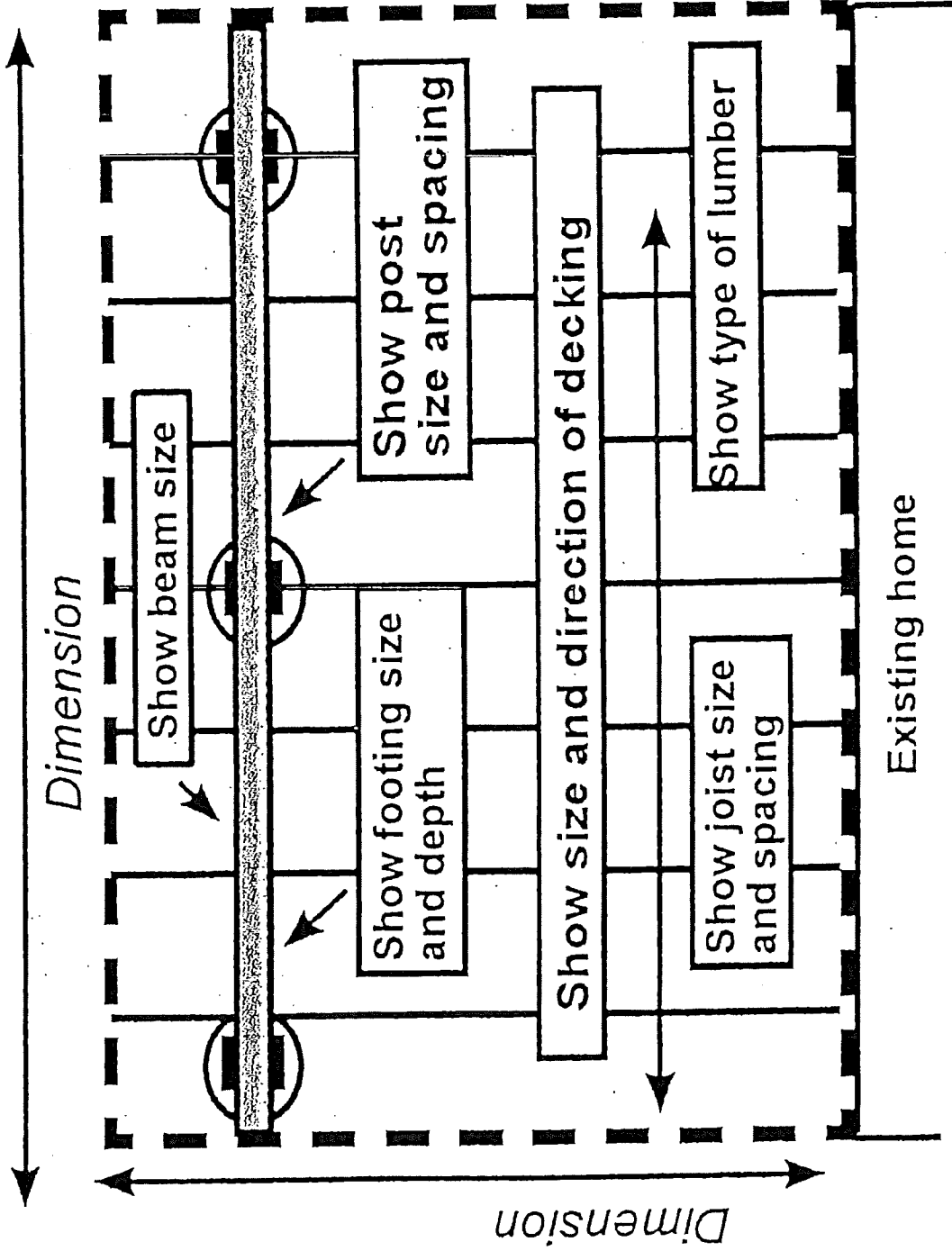
SIZE OF DECKING _____

DIRECTION OF DECKING CIRCLE ARROW

DISTANCE BETWEEN BEAMS? _____

K:\VAY\DECK FLOOR PLAN.gxd - 02/16/2015 - 12:46 PM - Scale 1:8.2177

Deck Sample floor plan



provide scale

